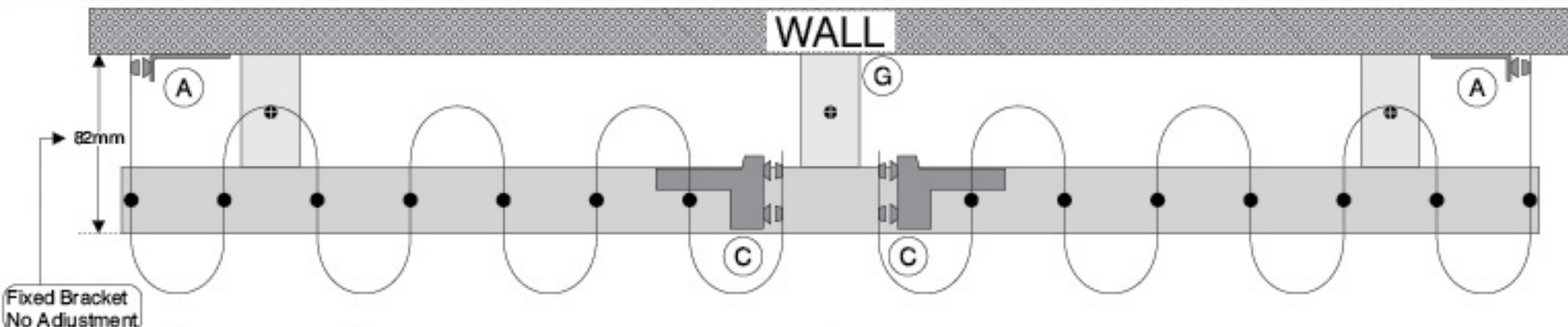
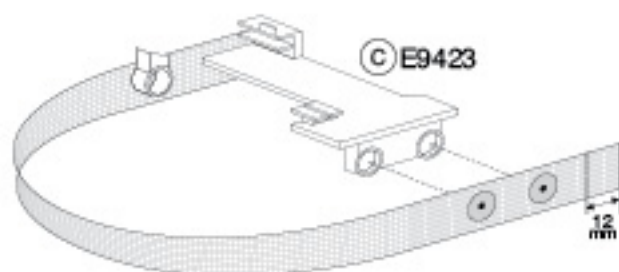


Code	Description
1 - Soft	E9001 Cord Drawn Centre Close Face Fix



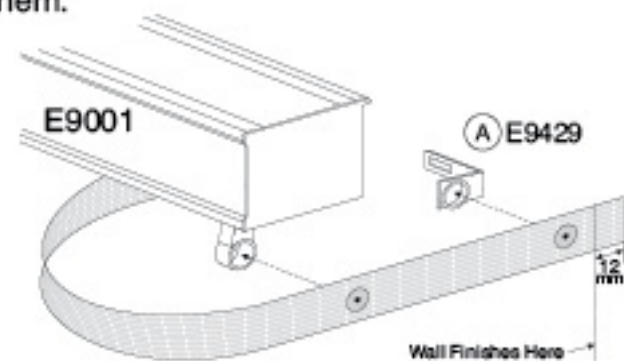
E9423 - Butt Master Carriers (C)

# Snap Tape on Butt Master end will have 12mm of extra tape for you to cut off or hem.



E9001 Return

# Snap Tape on Return End will have 12mm of extra tape on the end for you to cut off or hem.



(A) E9429 - Wall Mount



(C) E9423 - Butt Master Carrier



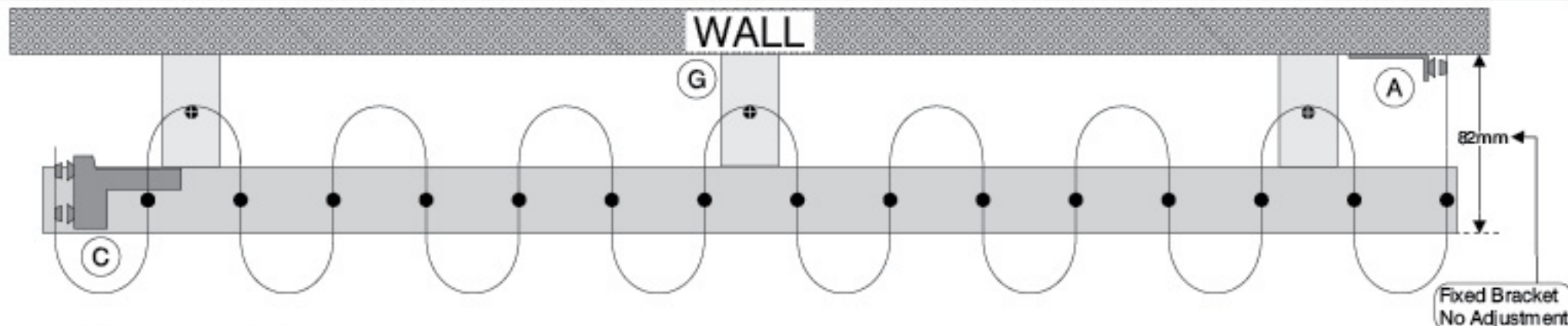
(G) E9455 - Face Fix Bracket



(H) E9453 - Top Fix Bracket  
Optional



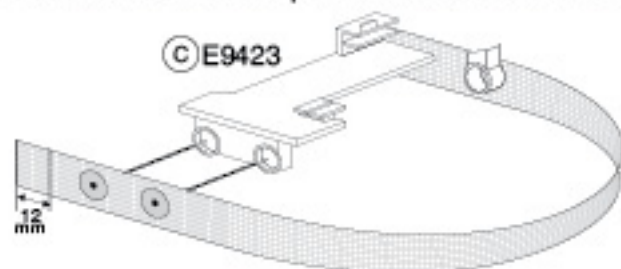
Code	Description
2 - Soft	E9001 Cord Drawn One Way Draw Face Fix



#### E9423 - Butt Master Carriers (C)

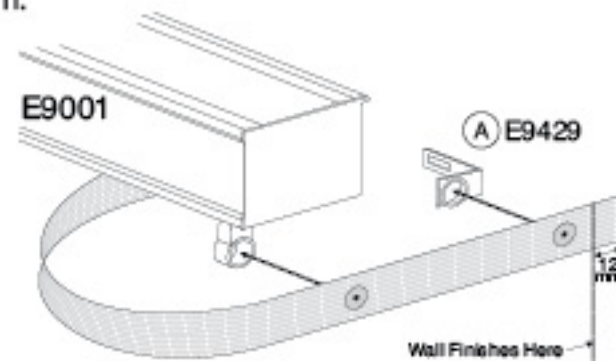
# Snap Tape on Butt Master end will have 12mm of extra tape for you to cut off or hem.

# Butt master Carrier does not extend past the end of the track.



#### E9001 Return

# Snap Tape on Return Ends will have 12mm of extra tape on the end for you to cut off or hem.



#### (A) E9429 - Wall Mount



#### (C) E9423 - Butt Master Carrier



#### (G) E9455 - Face Fix Bracket

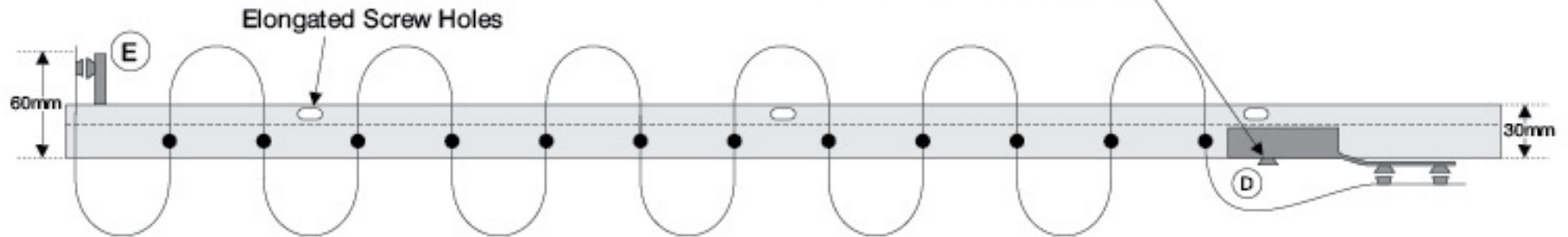


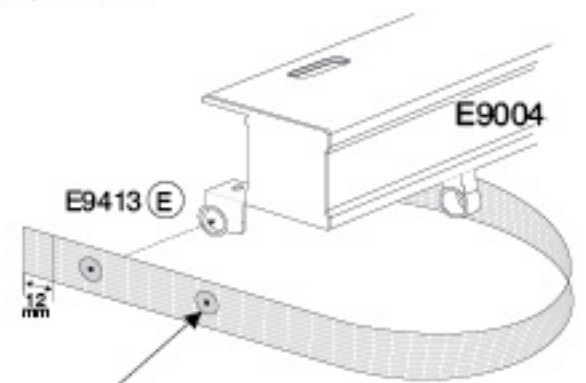
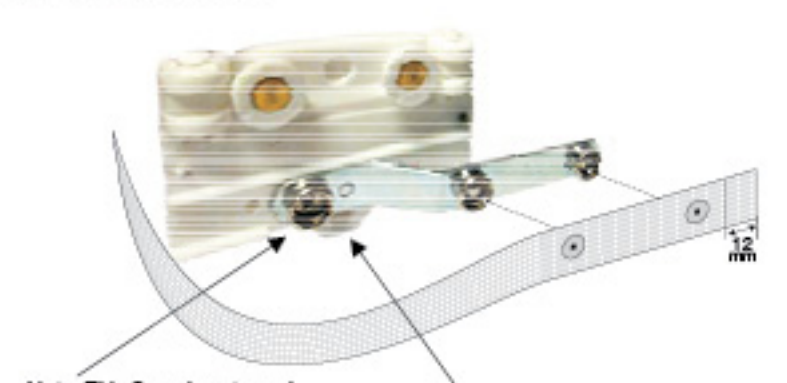



#### (H) E9453 - Top Fix Bracket Optional



Code	Description
3 - Soft	E9004 Commercial Hand Drawn One Way Draw Top Fix Only

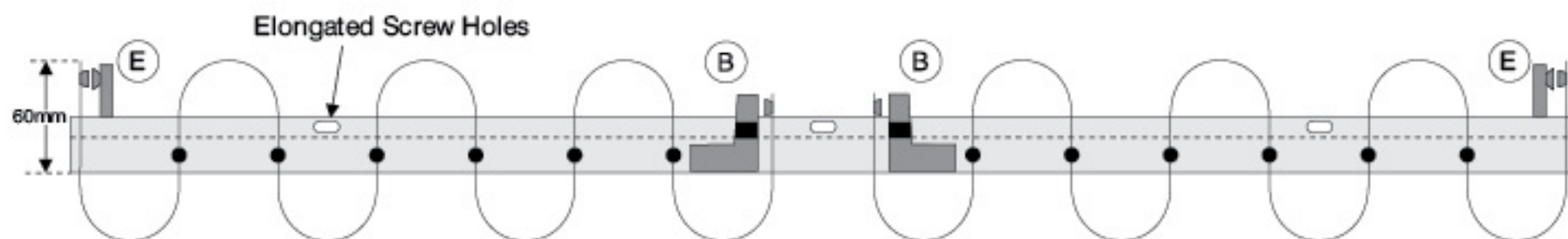
Note: This Snap is not used



<p><b>E9004 - Return</b></p>	<p><b>E9416 - Magnetic Overlap Master Carrier (D)</b></p>		
<p># As this is ceiling mounted E 9413 x 38mm returns will be supplied unless otherwise specified.</p>	<p># Snap Tape on Overlap Master Carrier will have 12mm of extra tape on the end for you to cut off or hem.</p>		
 <p>Note: This Snap is not used</p> <p># Note: The return can be larger by using E9415 - 80mm.</p>	 <p>Note: This Snap is not used</p> <p>Flick Stick attached here</p>		
<p><b>(A) E9429 - Wall Mount</b></p>	<p><b>(D) E9416 - Magnetic Overlap Master Carrier</b></p>	<p><b>(E) E9413 - 38mm Return</b></p>	
			

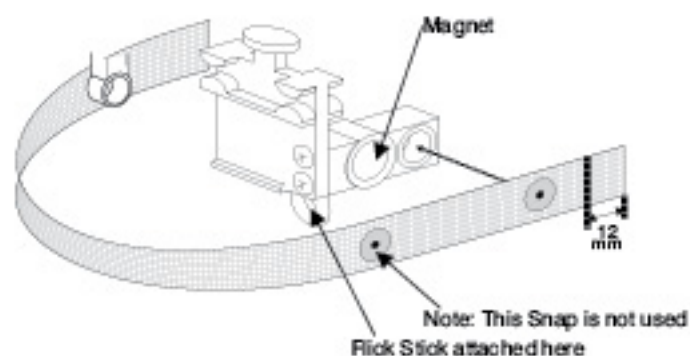


Code	Description
4 - Soft	E9004 Commercial Hand Drawn Centre Close Top Fix Only



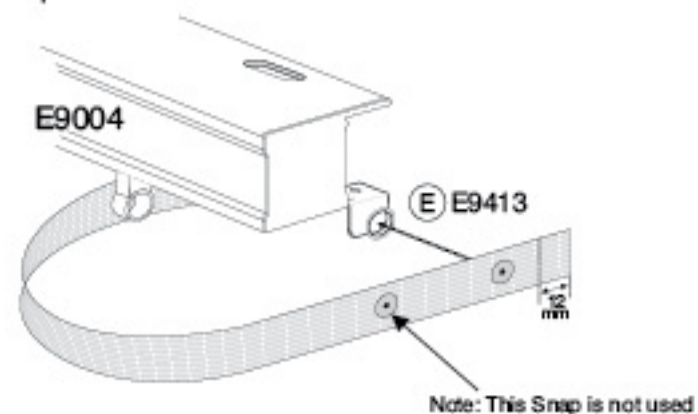
## E9420 - Butt Master Carriers (B)

# Snap Tape on Butt Master end will have 12mm of extra tape for you to cut off or hem.



## E9004 - Return

# As this is ceiling mounted E 9413 x 38mm returns will be supplied unless otherwise specified.

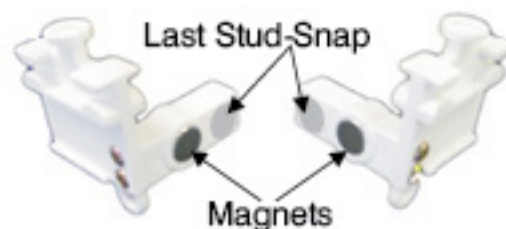


# Note: The return can be larger by using E9415 - 80mm.

## (A) E9429 - Wall Mount



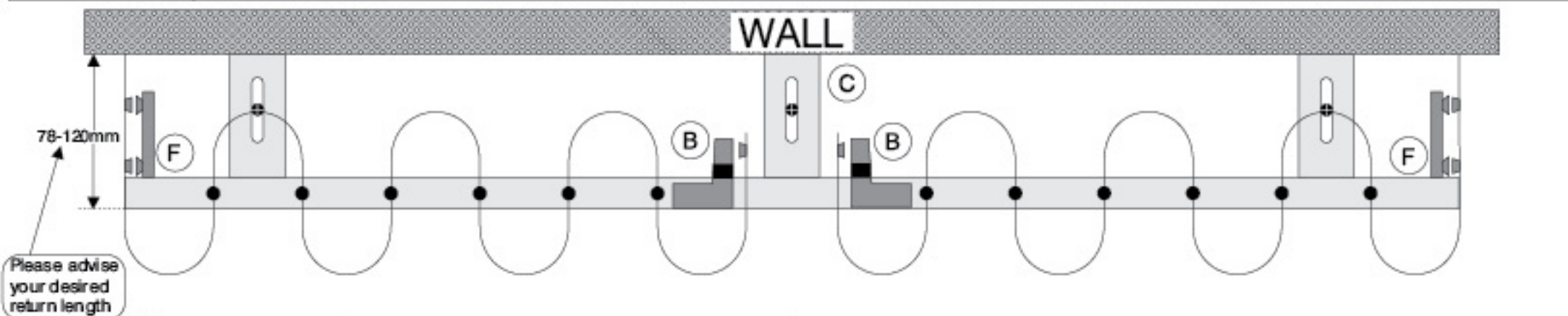
## (B) E9420 - Butt Master Carrier



## (E) E9413 - 38mm Return

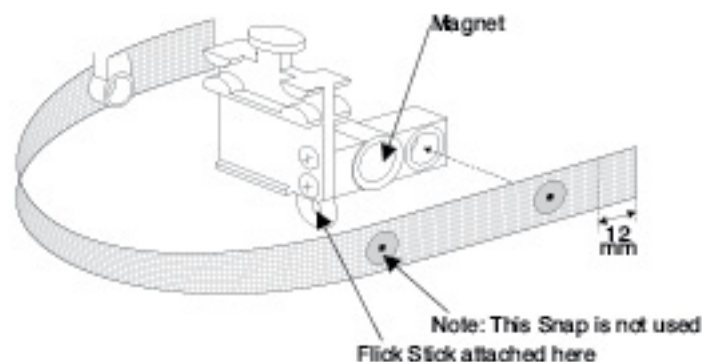


Code	Description
5 - Soft	E9003 Residential Hand Drawn Centre Close Face Fix



#### E9420 - Butt Master Carriers (B)

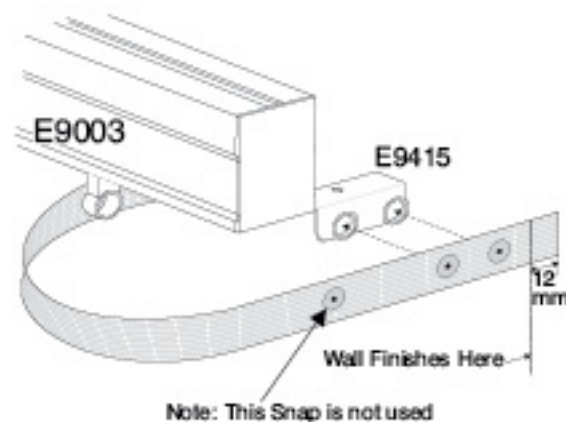
# Snap Tape on Butt Master end will have 12mm of extra tape for you to cut off or hem.



#### E9415 - Returns

# Snap Tape on Return End will have 12mm of extra tape on the end for you to cut off or hem.

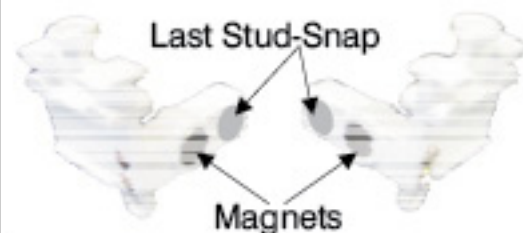
# Note: 3A - 55 Brackets are extendable from 78-120mm  
The Snap tape supplied will be supplied to suit 78mm Returns unless otherwise stated on your order  
# E9429 Wall return mount bracket may be required if bracket extended.



#### (A) E9429 - Wall Mount



#### (B) E9420 - Butt Master Carrier



#### (F) E9415 - 80mm Return

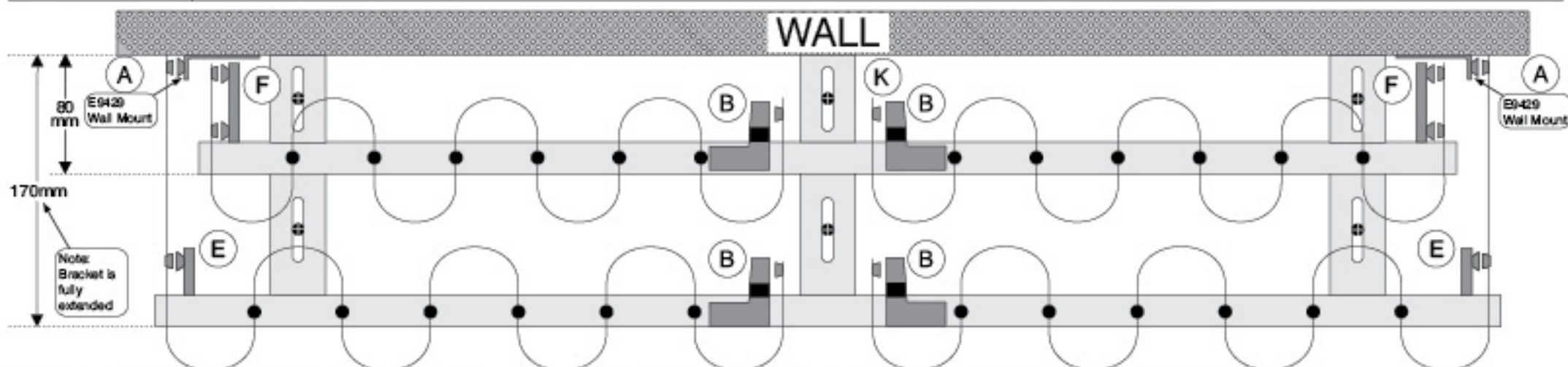


#### (J) 3A-55 - Face Fix Bracket

78mm -120mm



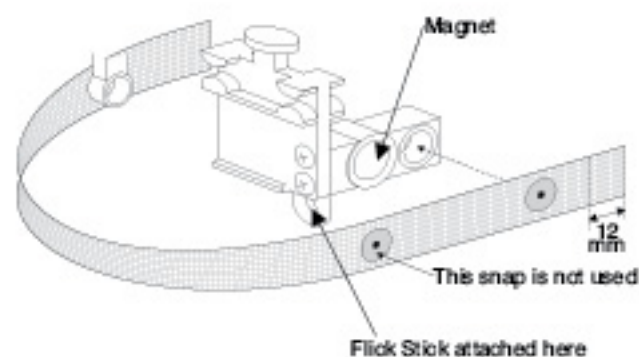
Code	Description
6 - Soft	E9003 Residential Double Hand Drawn Centre Close Face Fix



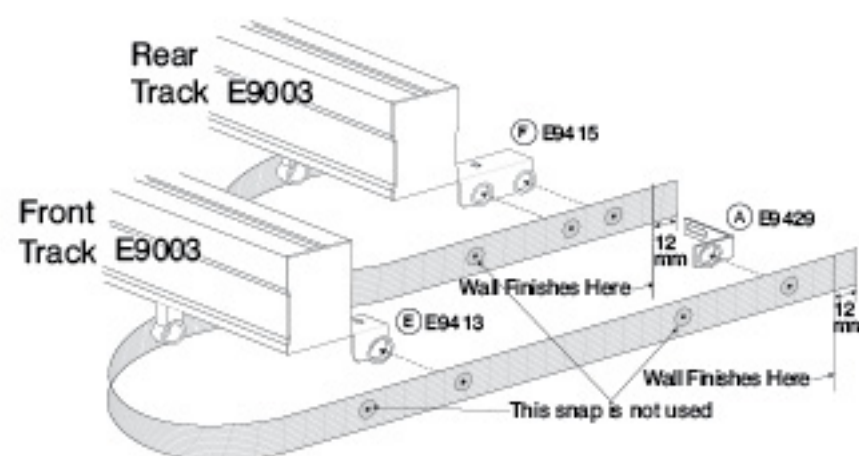
NOTE: With 3A-55V Bracket only 80% fullness tape can be used on Front & Rear Track. (100% will cause curtain to rub)

E9420 - Butt Master Carriers (B)

# Snap Tape on Butt Master end will have 12mm of extra tape for you to cut off or hem.



E9413 - E9415 - E9429 Double Track Returns



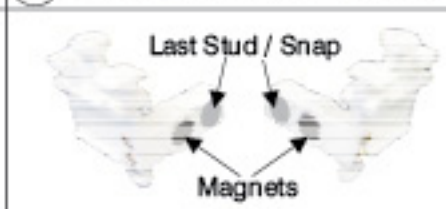
(A) E9429 - Wall Mount

(B) E9420 - Butt Master Carrier

(E) E9413 - 38mm Return

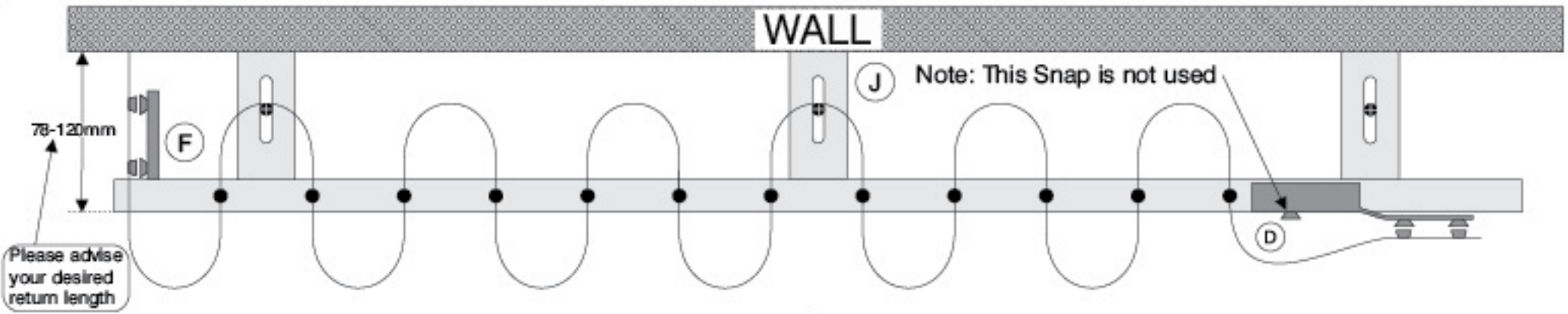
(F) E9415 - 80mm Return

(K) 3A-55V Double Face Fix Bracket





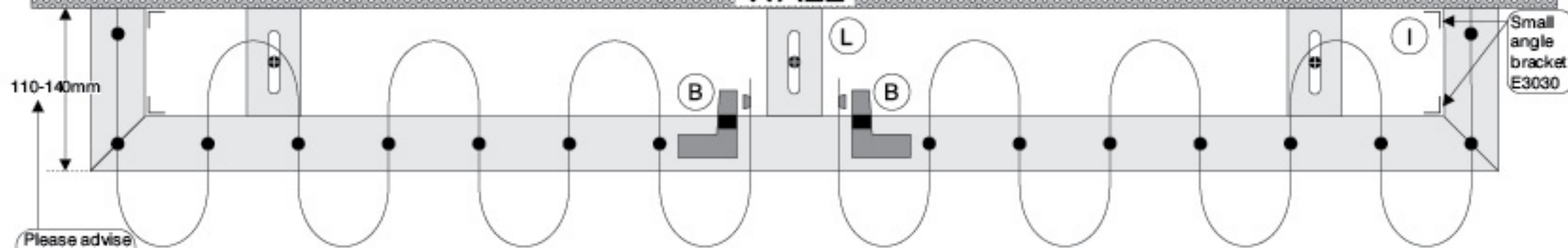
Code	Description
7 - Soft	E9003 Residential Hand Draw One Way Draw Face Fix



<p><b>E9415 - Returns</b></p> <p># Snap Tape on Return End will have 12mm of extra tape on the end for you to cut off or hem.</p> <p># Note: 3A - 55 Brackets are extendable from 78-120mm</p> <p>The Snap tape supplied will be supplied to suit 78mm Returns unless otherwise stated on your order</p> <p># E9429 Wall return mount bracket may be required if bracket extended.</p>	<p><b>E9416 - Magnetic Overlap Master Carrier</b></p> <p># Snap Tape on Overlap Master Carrier will have 12mm of extra tape on the end for you to cut off or hem.</p>		
<p><b>A E9429 - Wall Mount</b></p>	<p><b>D E9416 - Magnetic Overlap Master Carrier</b></p>	<p><b>F E9415 - 80mm Return</b></p>	<p><b>J 3A -55 - Face Fix Bracket</b></p> <p>78mm -120mm</p>

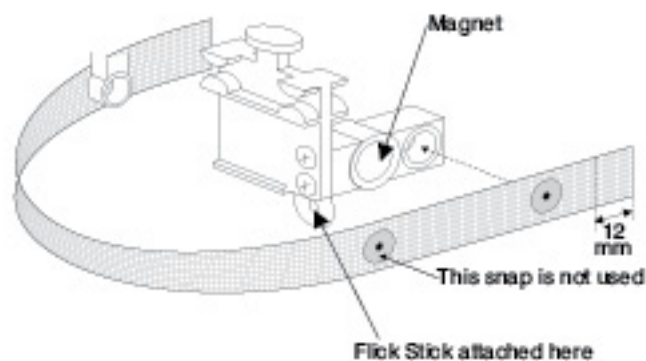
Code	Description
8 - Soft	E9002 Soft Pleat Decorator Hand Drawn Centre Close Face Fix With Mitred Returns

WALL



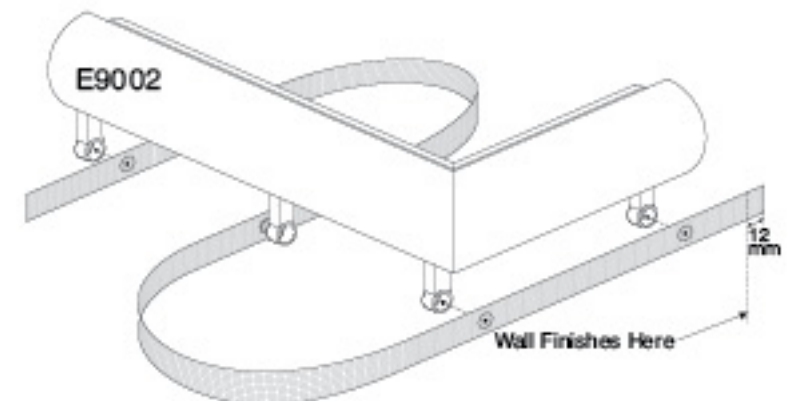
E9420 - Butt Master Carriers (B)

# Snap Tape on Butt Master end will have 12mm of extra tape for you to cut off or hem.

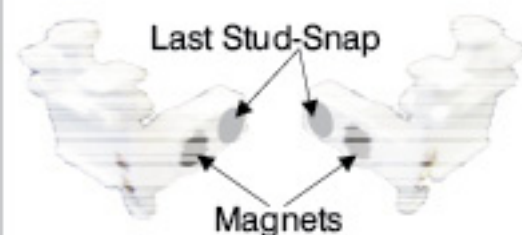


E9002 - Returns

# Snap Tape on Return End will have 12mm of extra tape on the end for you to cut off or hem.



(B) E9420 - Butt Master Carrier



(L) 6-61- Single Face Fix Bracket

110-140mm



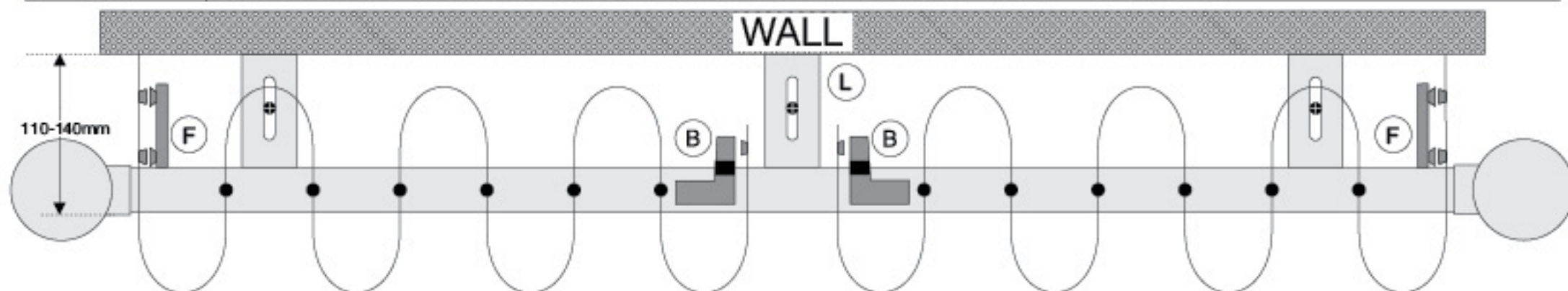
(I) E3030- Angle Bracket

30mm x 30mm



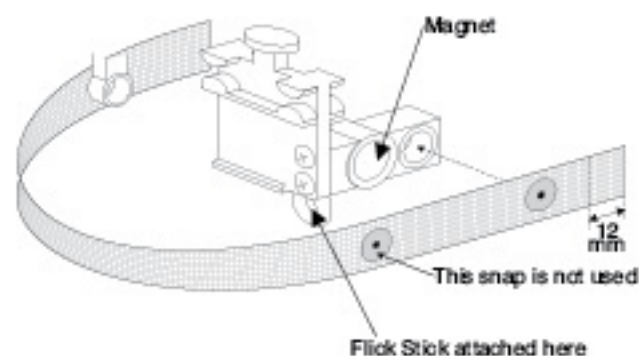


Code	Description
9 - Soft	E9002 Soft Pleat Decorator Hand Drawn Centre Close Face Fix



#### E9420 - Butt Master Carriers (B)

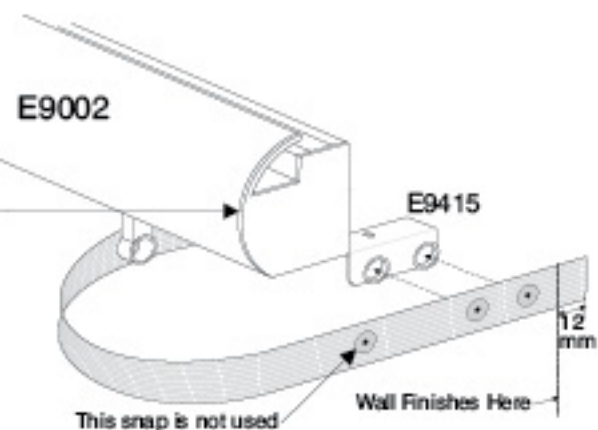
# Snap Tape on Butt Master end will have 12mm of extra tape for you to cut off or hem.



#### E9415 - Returns

# Snap Tape on Return End will have 12mm of extra tape on the end for you to cut off or hem.

This is a cross section look at the end of the Decorator track without the finial

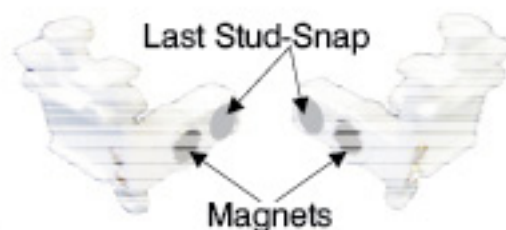


# E9429 Wall return mount bracket may be required if bracket extended.

#### (A) E9429 - Wall Mount



#### (B) E9420 - Butt Master Carrier



#### (F) E9415 - 80mm Return

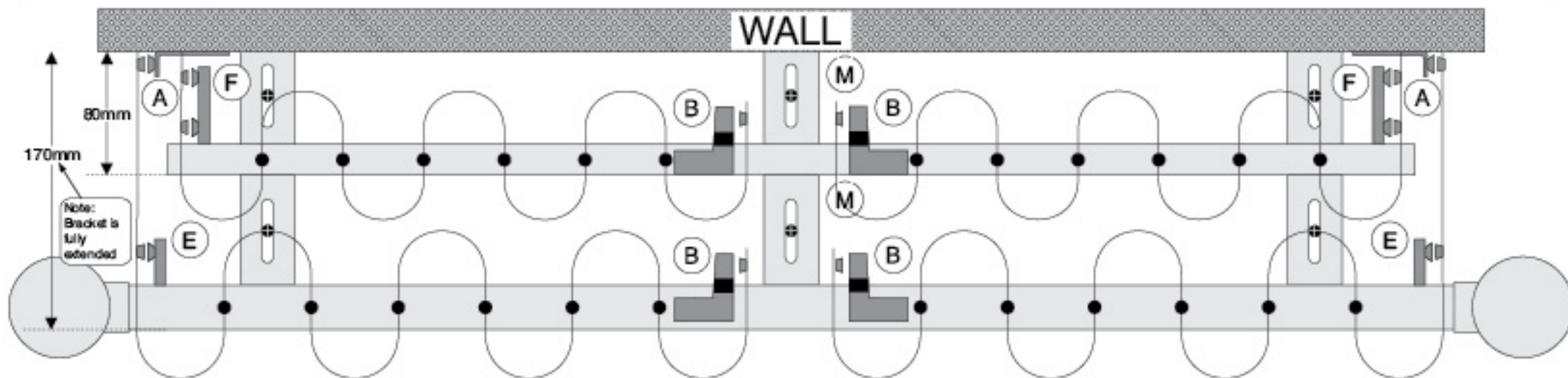


#### (L) 6-61 Face Fix Bracket

110mm - 140mm

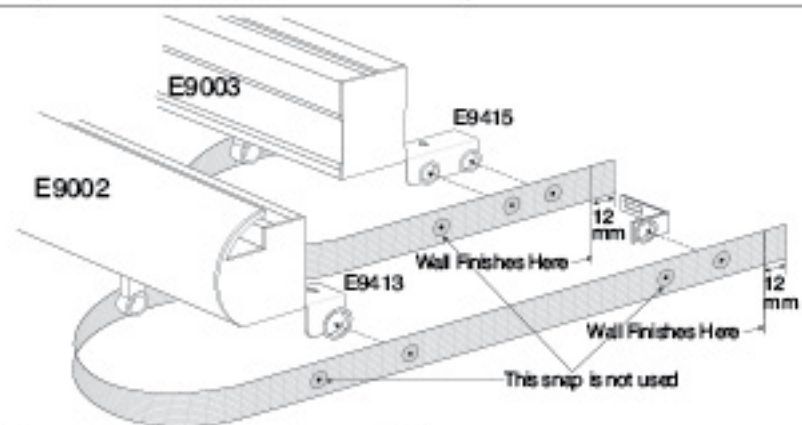
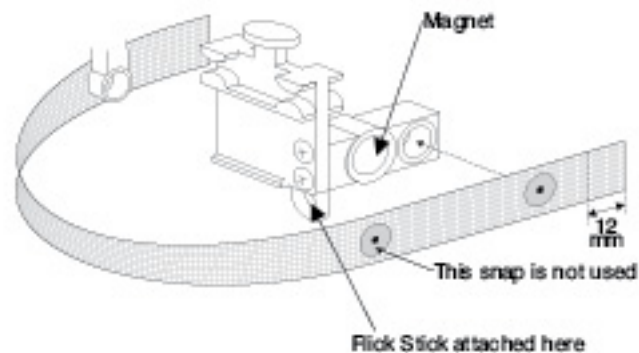


Code	Description
10 - Soft	FRONT: E9002 Soft Pleat Decorator Hand Drawn Centre Close Face Fix
	REAR: E9003 Soft Pleat Residential Hand Drawn Centre Close Face Fix



NOTE: With 6-62 Bracket only 80% fullness tape can be used on Front & Rear Track.(100% will cause curtain to rub)

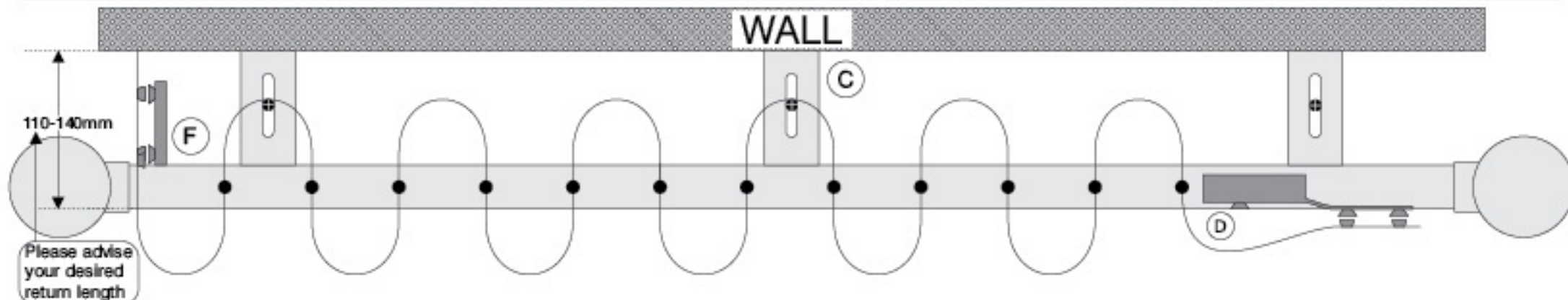
# Snap Tape on Butt Master end will have 12mm of extra tape for you to cut off or hem.



<b>A</b> E9429 - Wall Mount	<b>B</b> E9420 - Butt Master Carrier	<b>E</b> E9413 - 38mm Return	<b>F</b> E9415 - 80mm Return	<b>M</b> 6-62 - Face Fix Bracket 110mm - 140mm

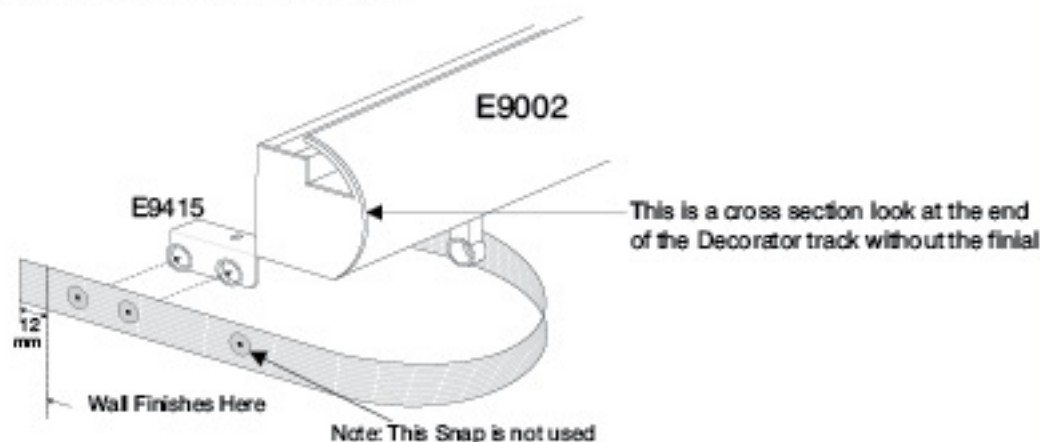


Code	Description
11 - Soft	Soft Pleat Decorator Hand Draw One Way Draw Face Fix



## E9415 - Returns

# Snap Tape on Return End will have 12mm of extra tape on the end for you to cut off or hem.

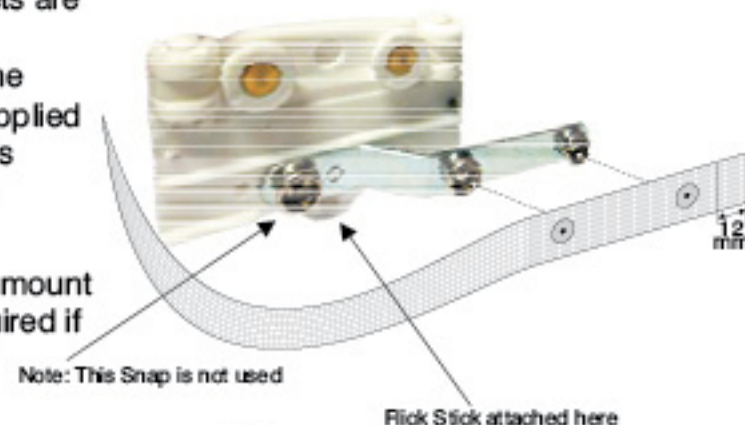


## E9416 - Magnetic Overlap Master Carrier (D)

# Note: Snap Tape Return will be supplied at minimum extension of 78mm unless otherwise clearly stated on the order sheet.

# Note: 6-61 Brackets are extendable from 110mm to 140mm the snap tape will be supplied to suit 110mm unless otherwise stated on your order.

# E9429 Wall return mount bracket may be required if bracket extended.



## (A) E9429 - Wall Mount



## (F) E9415 - 80mm Return



## (L) 6-61 Face Fix Bracket

110mm - 140mm

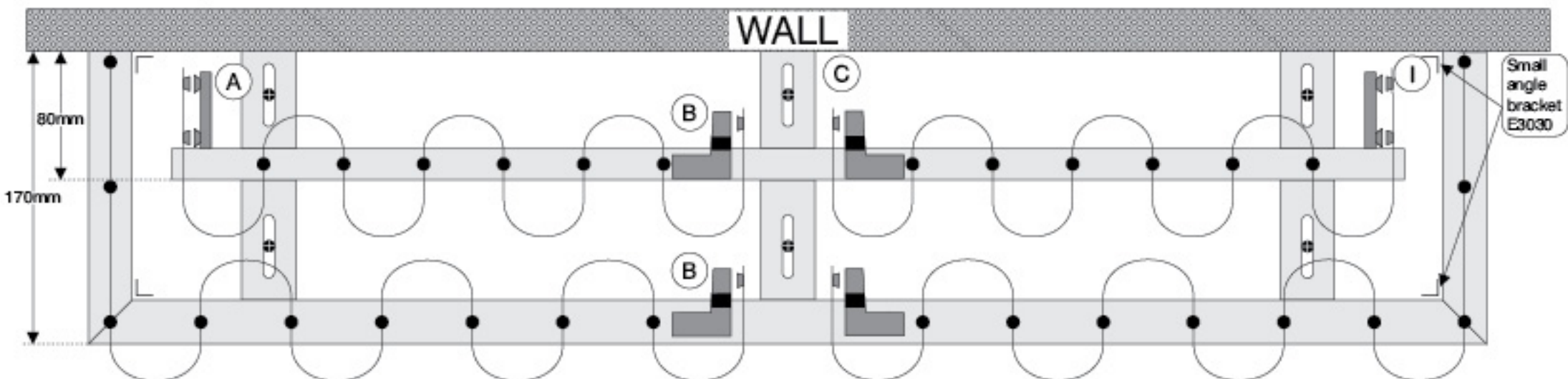


## (D) E9416 - Overlap Master Carrier





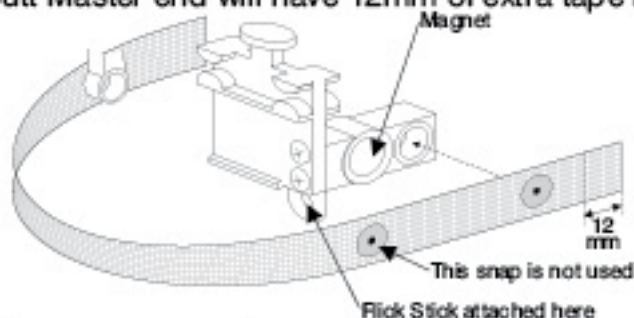
Code	Description
12 - Soft	FRONT: E9002 Soft Pleat Decorator Hand Drawn Centre Close Face Fix With Mitred Return
	REAR: E9003 Soft Pleat Residential Hand Drawn Centre Close Face Fix



NOTE: With 6-62 Bracket only 80% fullness tape can be used on Front & Rear Track..(100% will cause curtain to rub)

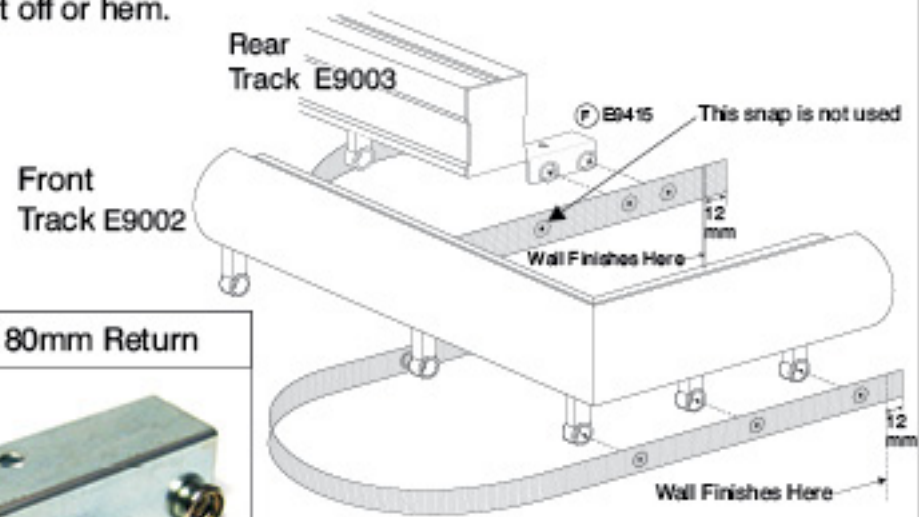
E9420 Butt Master Carrier

# Snap Tape on Butt Master end will have 12mm of extra tape for you to cut off or hem.

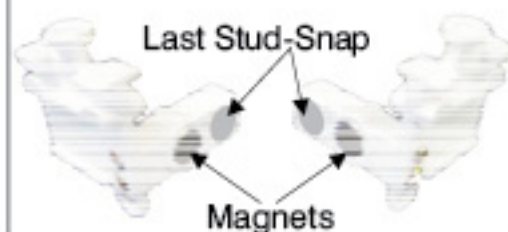


E9002 & E9003 Returns

# Snap Tape on Return Ends will have 12mm of extra tape on the end for you to cut off or hem.



**B** E9420 - Butt Master Carrier



**M** 6-62 - Double Face Fix Bracket  
110-140mm



**F** E9415 - 80mm Return



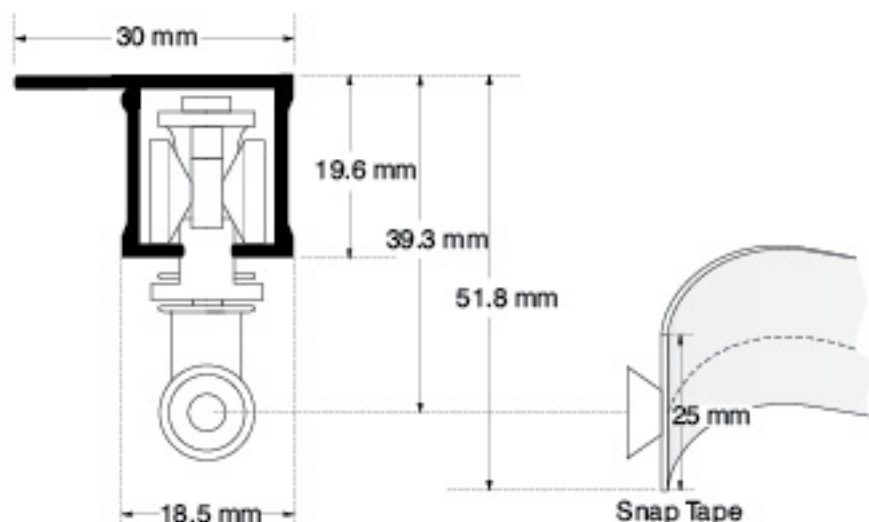


## E9004 Commercial Track with Flange

### SOFT PLEAT

- Hand Drawn
- No Brackets Required
- Top Fix Only

© Copyright By Excell Decor Hardware Pty Ltd, April 2010



#### Snap Tapes Available:

Transparent Tape for sheers



Nylon Fabric Tape for normal fabric



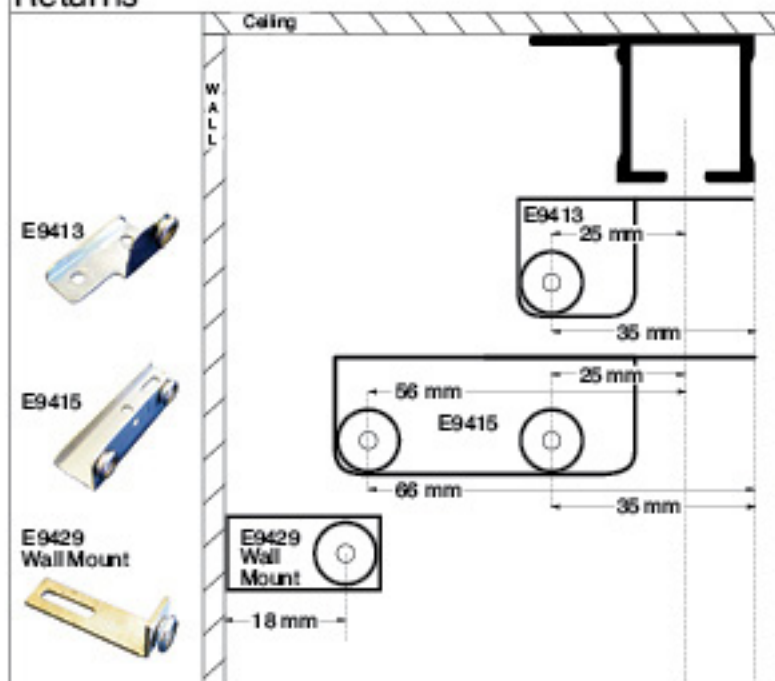
#### Formed pleat Snap Tape:

Nylon Fabric Tape only, for normal fabric



# Please note: Tapes have a width tolerance of plus or minus 1mm.

#### Returns

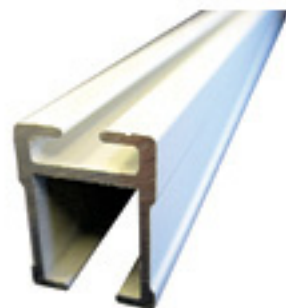


Butt Masters Centre Close



One Way Draw



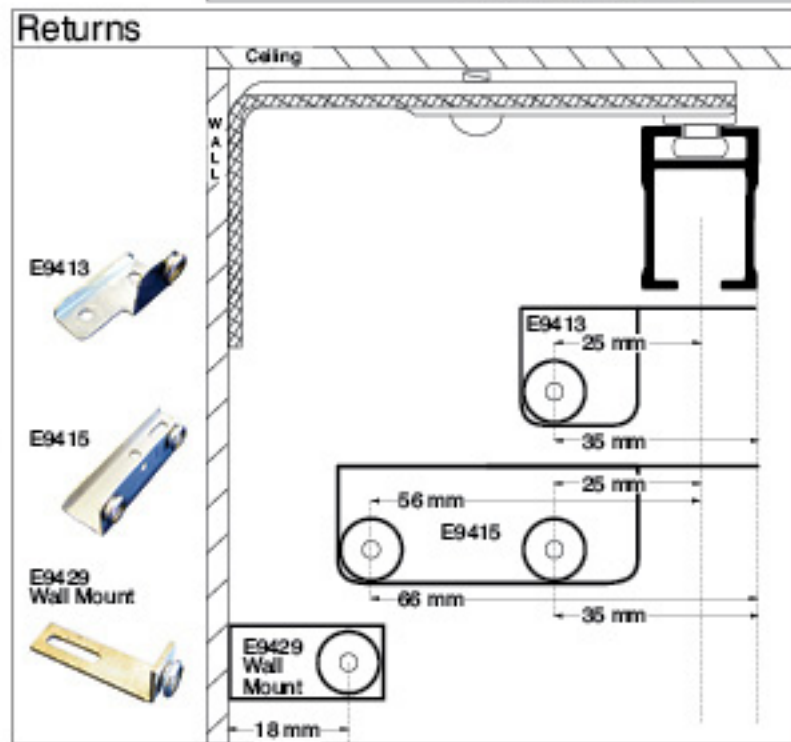
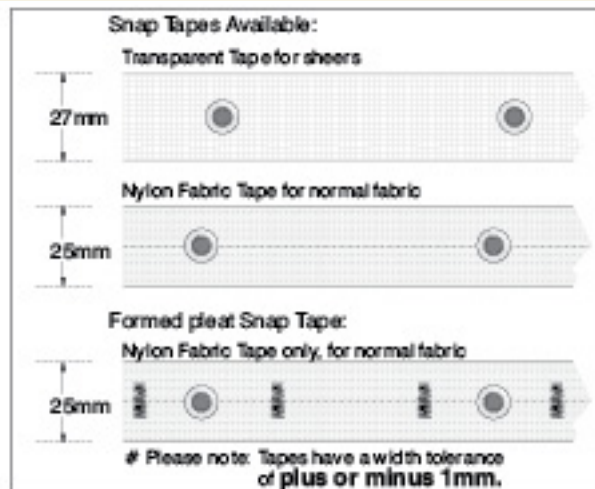
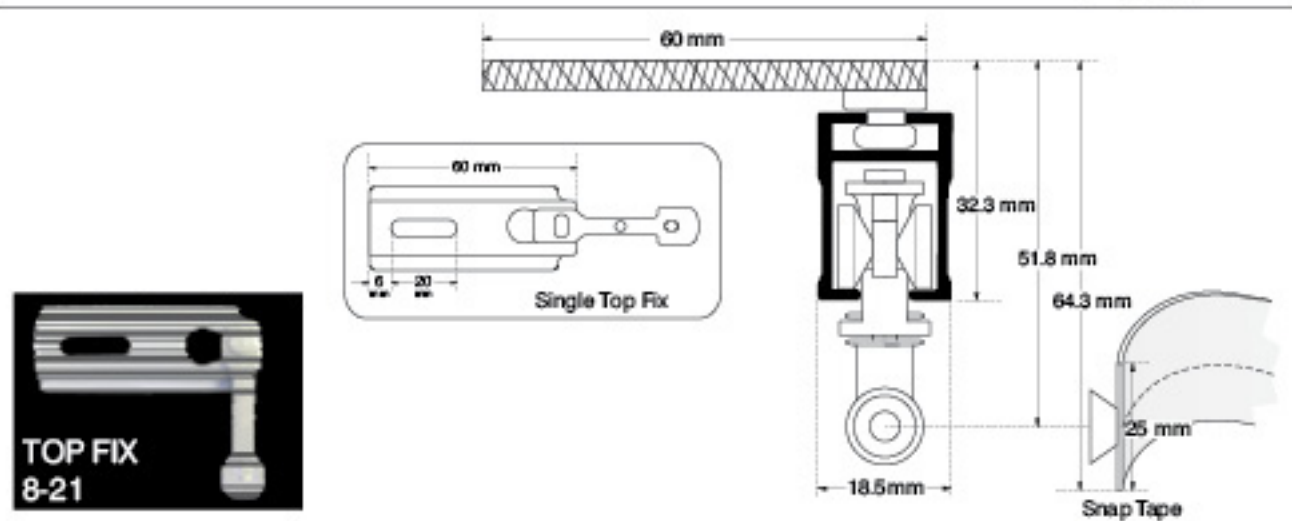
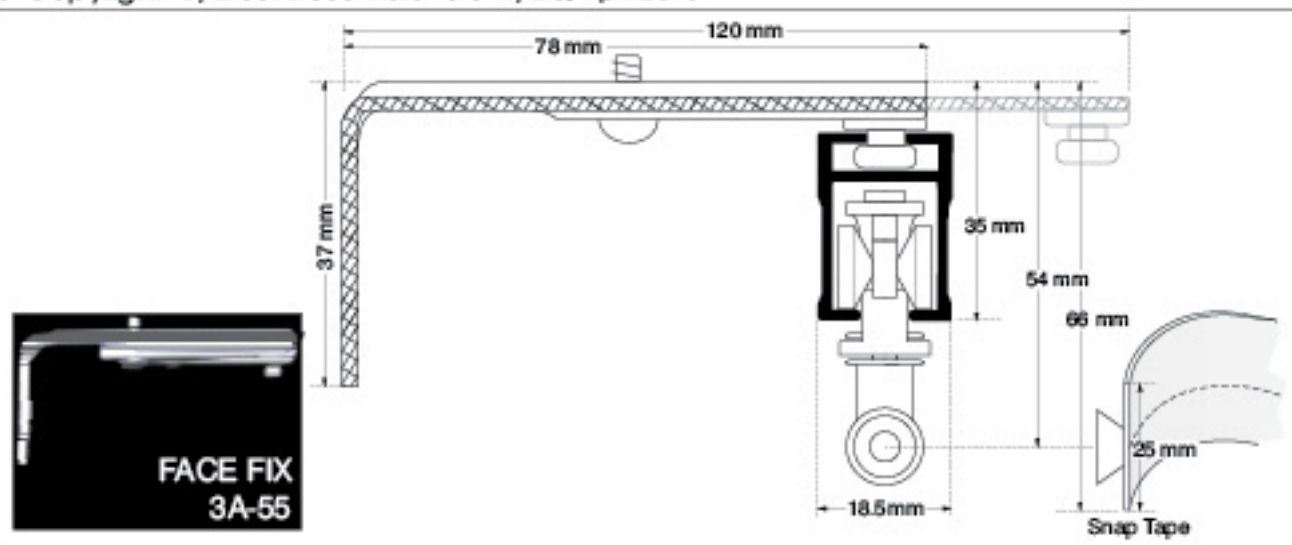


# E9003 Residential Track

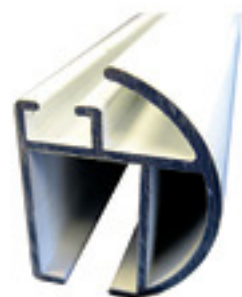
## SOFT PLEAT

- Hand Drawn
- Face Fix
- Top Fix

© Copyright By Excel Decor Hardware Pty Ltd, April 2010





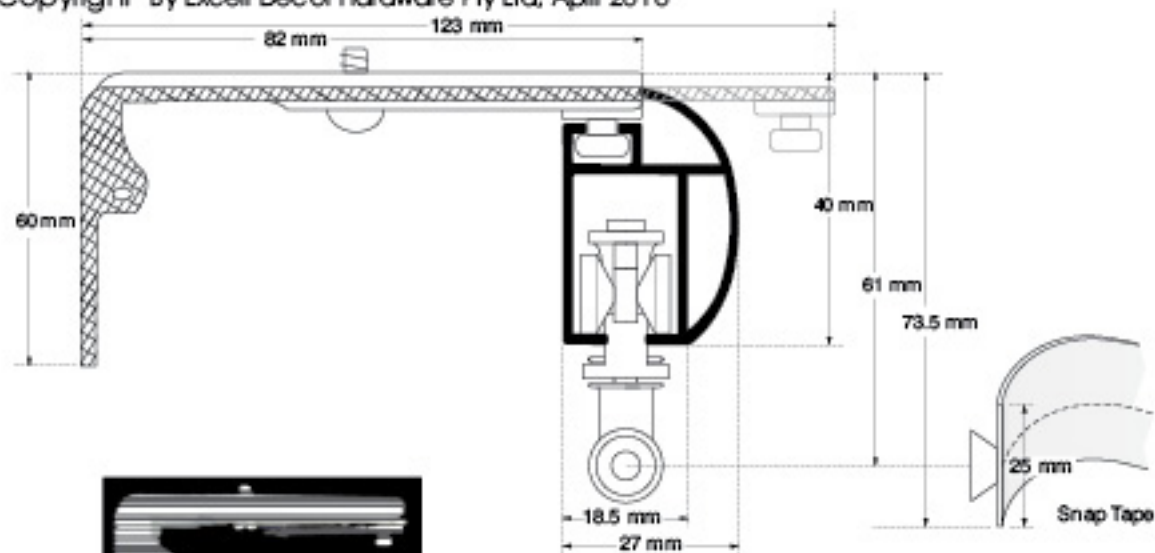


# E9002 Decorator Track

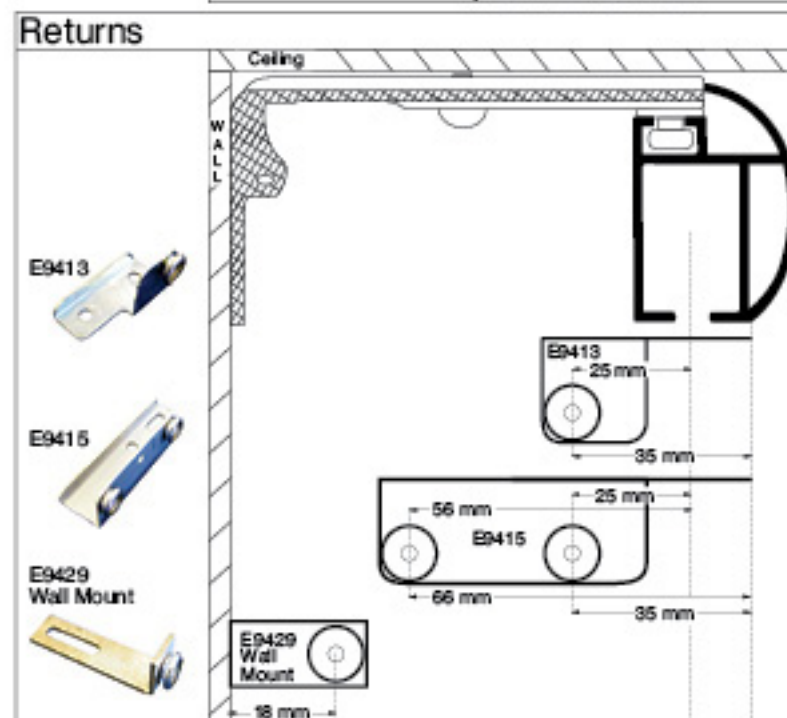
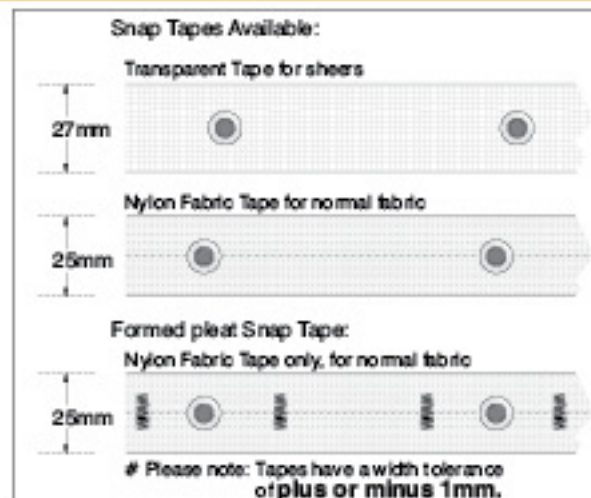
## SOFT PLEAT

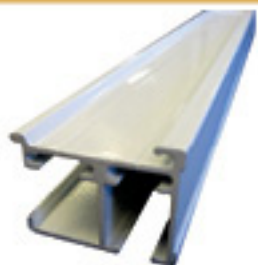
- Hand Drawn
- Face Fix

© Copyright By Excell Dec or Hardware Pty Ltd, April 2010



-  E9214  
Wheel Runner
-  E9218  
Pendant for  
Soft Pleat



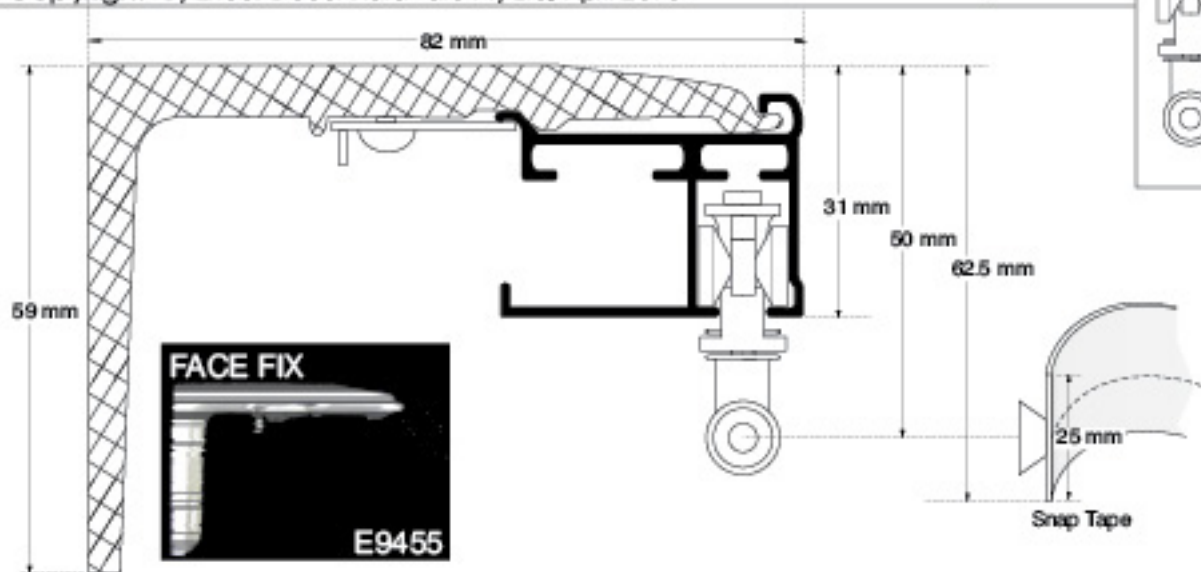


# E9001 Cord Drawn & Motorised Track

## SOFT PLEAT

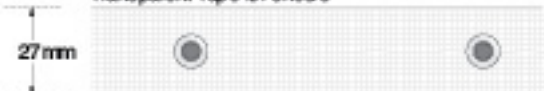
- Cord Drawn
- Motorised
- Face Fix
- Top Fix

© Copyright By Excell Decor Hardware Pty Ltd, April 2010



Snap Tapes Available:

Transparent Tape for sheers

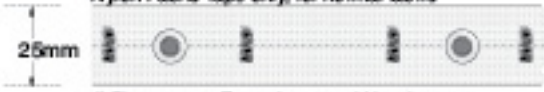


Nylon Fabric Tape for normal fabric

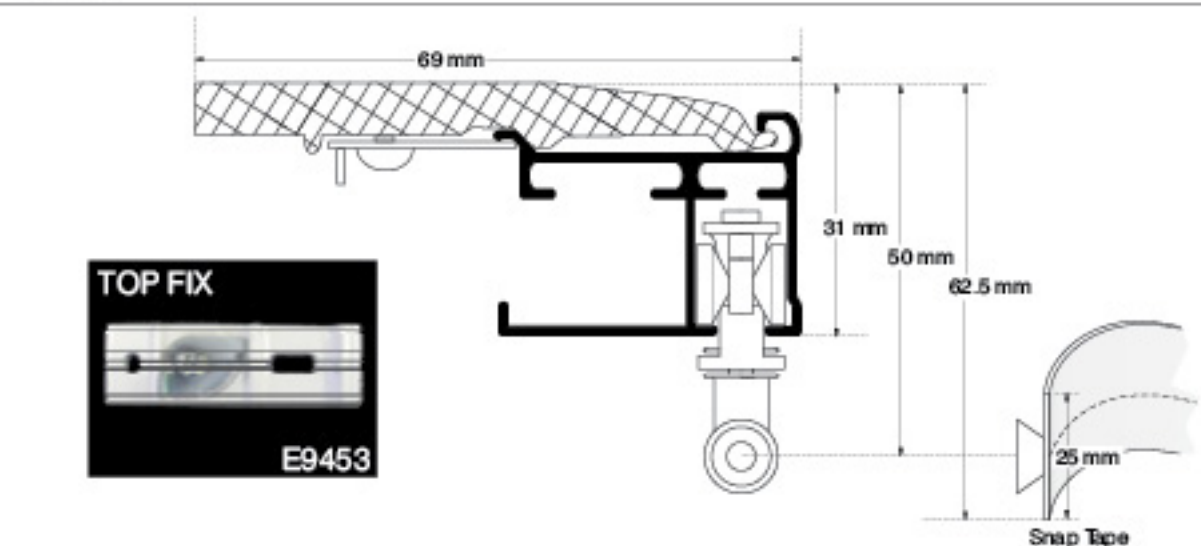


Formed pleat Snap Tape:

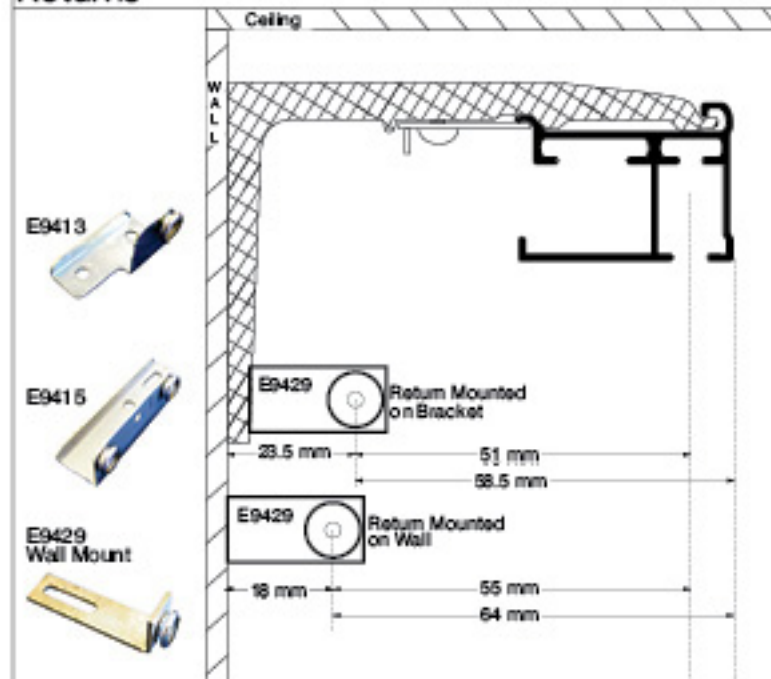
Nylon Fabric Tape only, for normal fabric



# Please note: Tapes have a width tolerance of plus or minus 1mm.



## Returns



Butt Masters Centre Close

E9423



Overlap Master Carriers

E9431

E9432

